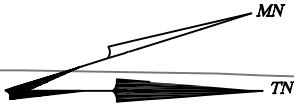


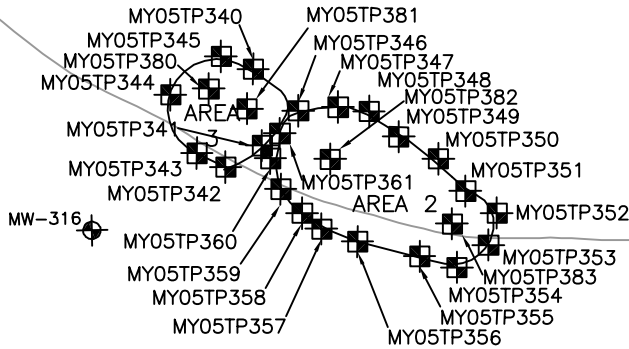
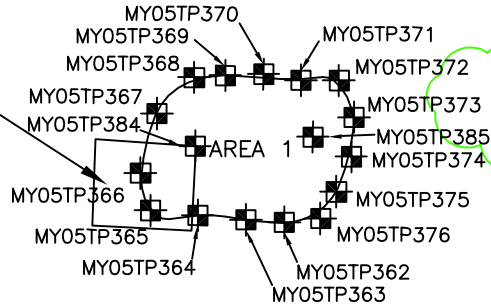
PLANT ACCESS ROAD



40

MW-303B MW-303A

FORMER TRUCK MAINTENANCE GARAGE

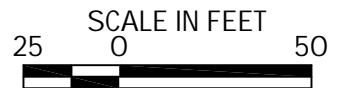


30

LEGEND:

MW-316  MONITORING WELL LOCATION

MW05TP372  TESTPIT LOCATION



Maine Yankee

MAINE YANKEE RCRA CLOSURE



DRAWINGS PRODUCED BY:
CH2MHILL, STRATEX
JACQUES WHITFORD COMPANY

DRAWING TITLE:

FORMER TRUCK
MAINTENANCE GARAGE
REMEDIATION AREA



DATE PREPARED: DESIGNED BY: DRAWN BY: CHECKED BY: REVIEWED BY:

04-12-04 NOS TS NOS RGG

PROJECT NAME/FILE NAME: PROJECT NUMBER/PHASE: SCALE: PREPARED FOR:

FTMG/BPRCA MEPO4103/1 1"=50' MAINE YANKEE ATOMIC POWER CO, Wiscasset ME

FIGURE NO.

2